

MASTER DISTRIBUIDOR



DE710-TRUCK

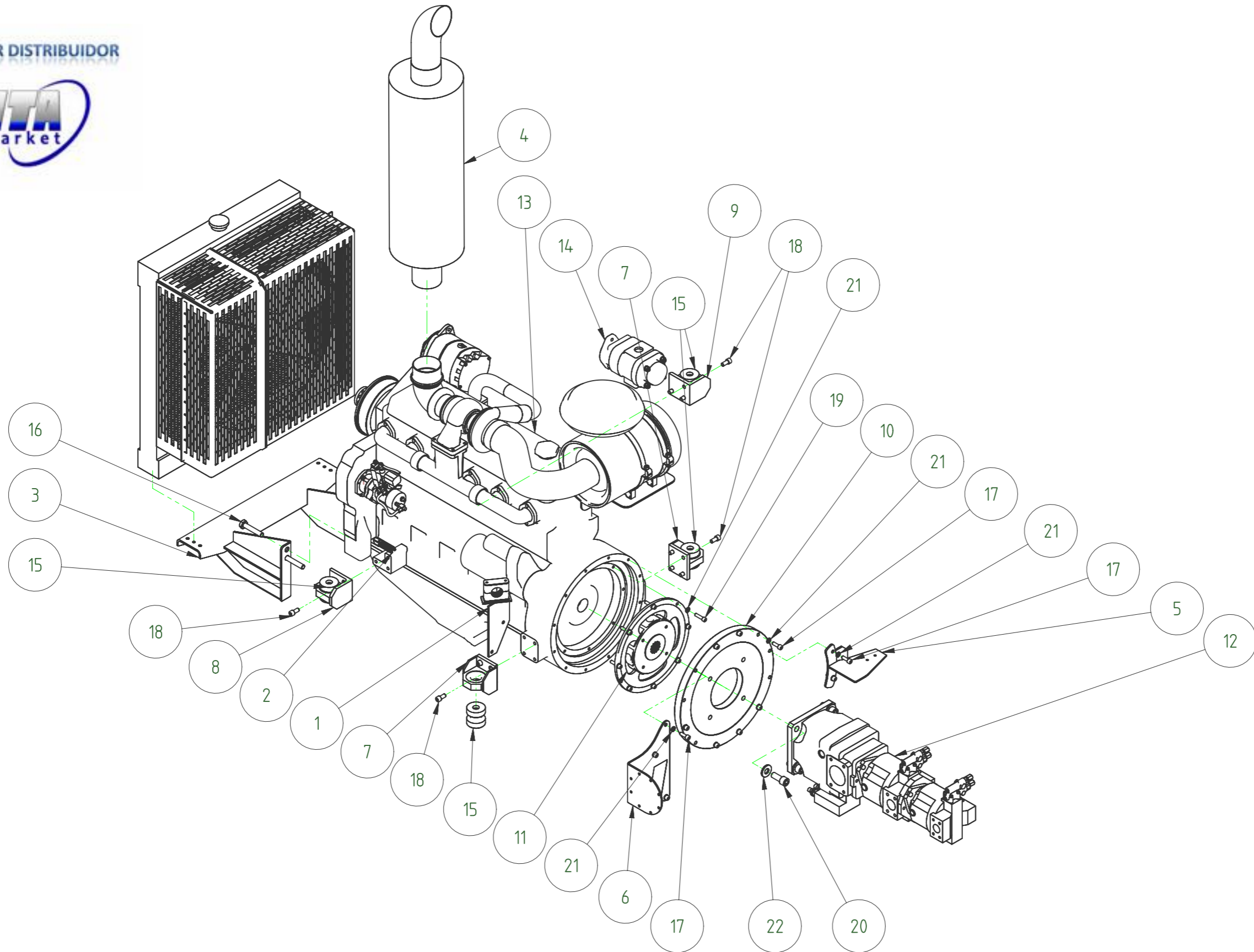
Parts Manual

DDH1

EXPLORATION DRILL DE710-TRUCK



MASTER DISTRIBUIDOR



PROJECTION DRAWN TO AS1100 ALL DIMS IN MM - DO NOT SCALE

GENERAL GEOMETRIC TOLERANCE				
⊕ 0.5	⊕ 0.5	⊕ 0.5	⊕ 0.5	⊕ 0.5
∠ 0.5	∥ 0.5	∠ 0.25°	∠ 0.5	∠ 0.5

THIS DRAWING AND ALL INFORMATION THEREON IS THE CONFIDENTIAL PROPERTY OF SANDVIK MINING & CONSTRUCTION Pty Ltd. IT MUST NOT BE MADE PUBLIC OR COPIED, & MUST BE RETURNED ON DEMAND. IT IS NOT TO BE USED DIRECTLY OR INDIRECTLY IN ANY WAY DETRIMENTAL TO SANDVIK'S INTERESTS.

LINEAR & ANGLE TOLERANCES UNLESS SPECIFIED								
MM FROM:	0	50	150	300	1000	4000	ANGLE	
UP TO:	50	150	300	1000	4000	PLUS		
DEC	0	±1.0	±1.5	±2.0	±2.5	±3	±4.0	±1°
	0.0	±0.2	±0.5	±0.8	±1.0	±2	±2.5	±0.5°
	0.00	±0.1	±0.2	±0.3	±0.5	±1	±1.5	±0.2°

NO.	DESCRIPTION	BY	DATE
1	ISSUED	RRP	10-5-05
REVISIONS			

SCALE	1:5
DRAWN BY	RRP
DATE DRN	10-5-05
DWG CH'KD	-
DATE CHK'D	-
ENG APP'D	GL
DATE APP'D	10-5-05

MAIN DRIVE ASSEMBLY



SIZE	DRAWING NUMBER	REV.
A3	11260-1	1
SHEET 2 OF 2		

QUIERES SABER MAS?

LLAMANOS O ESCRIBENOS

WW.ITAMARKET.CL

MASTER DISTRIBUIDOR

