

Itahydraulic

Power Technology



Heat Exchangers Air - Oil

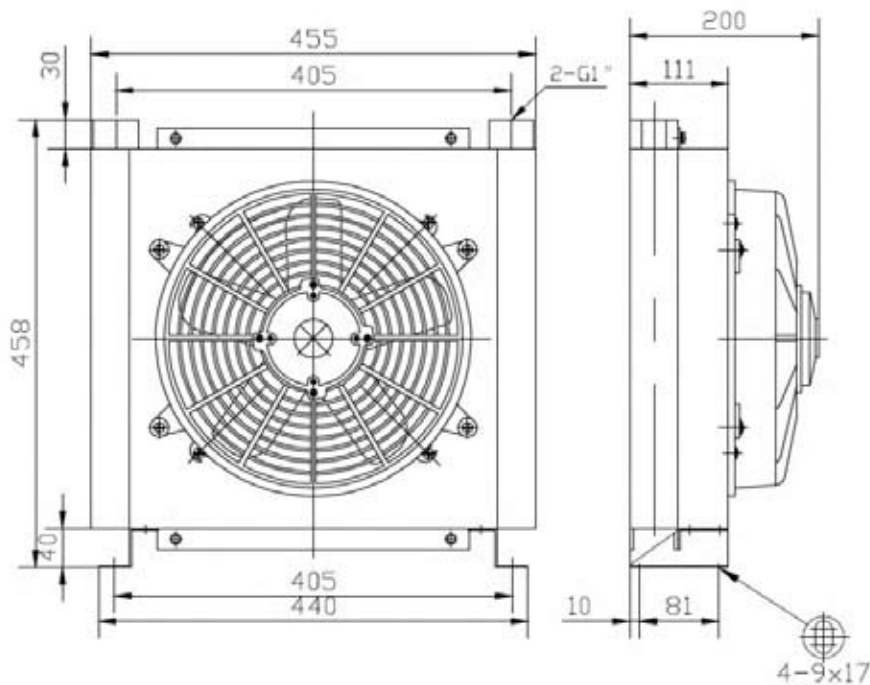
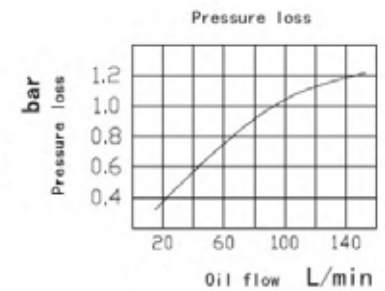
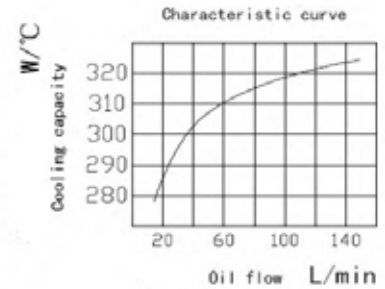


Description

Hydraulic oil cooler AH1418T is designed for mobile hydraulic applications where high performance and efficiency are required and physical size must be minimised to allow easy installation.

TECHNICAL DATA

Rate of flow		30-150L/min
Working pressure		≤ 2.0Mpa
Fan power		240/160w (2700±200r/min)
Fan voltage		DC12/24V
Applicable moter power		7.5kw (10Hp)
Exterior cooling area		5.8m ²



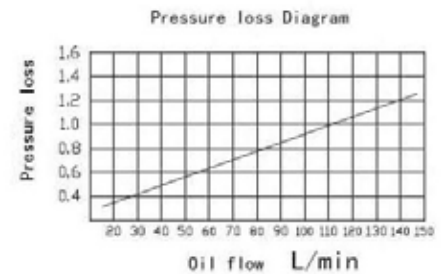
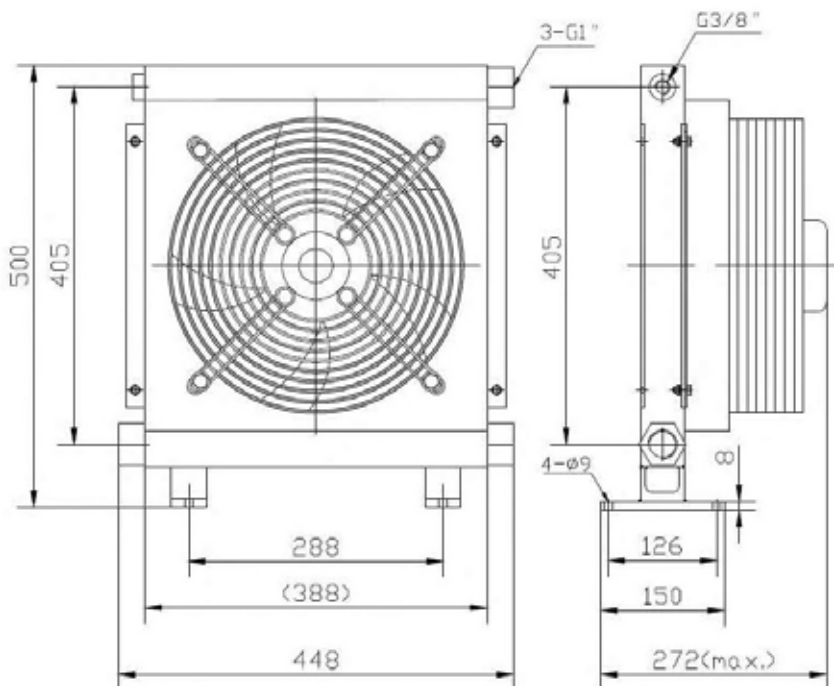
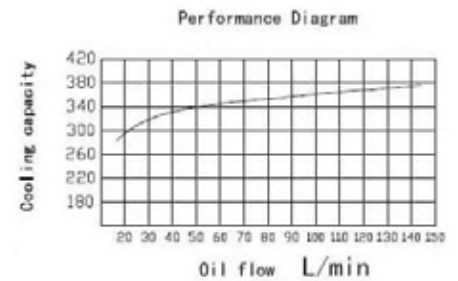


Description

Hydraulic oil cooler AH1418T is designed for mobile hydraulic applications where high performance and efficiency are required and physical size must be minimised to allow easy installation.

TECHNICAL DATA

Hydraulic System	5-7.5kw (7-10Hp)
Rate of flow	30-150L/min
Working pressure	≤ 2.0Mpa
Exterior cooling area	5.2m ²
Fan power	145w (2380r/min)
Fan voltage	AC220 V (50Hz)



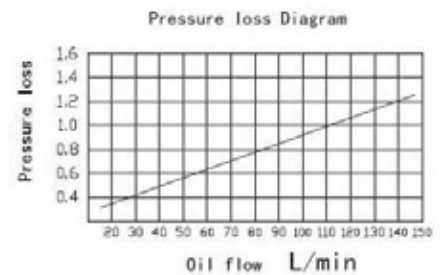
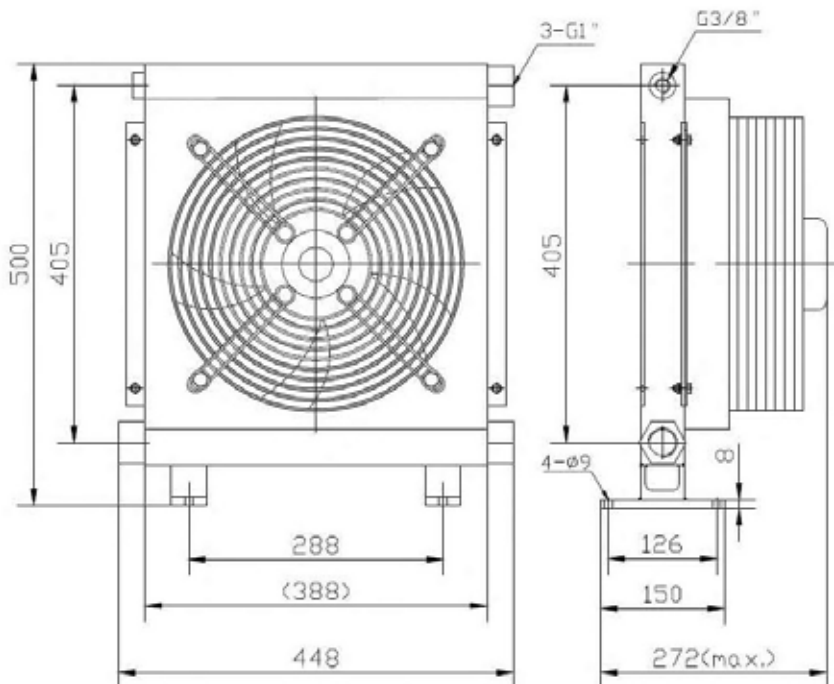
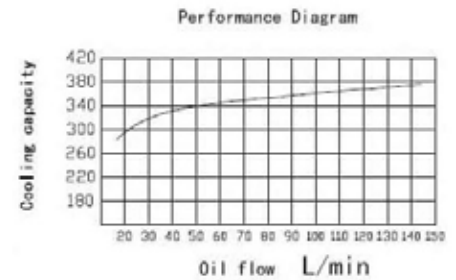


Description

Hydraulic oil cooler AH1418T is designed for mobile hydraulic applications where high performance and efficiency are required and physical size must be minimised to allow easy installation.

TECHNICAL DATA

Hydraulic System	5-7.5kw (7-10Hp)
Rate of flow	30-150L/min
Working pressure	≤ 2.0Mpa
Exterior cooling area	5.2m ²
Fan power	145W (2380r/min)
Fan voltage	AC380V (50Hz)





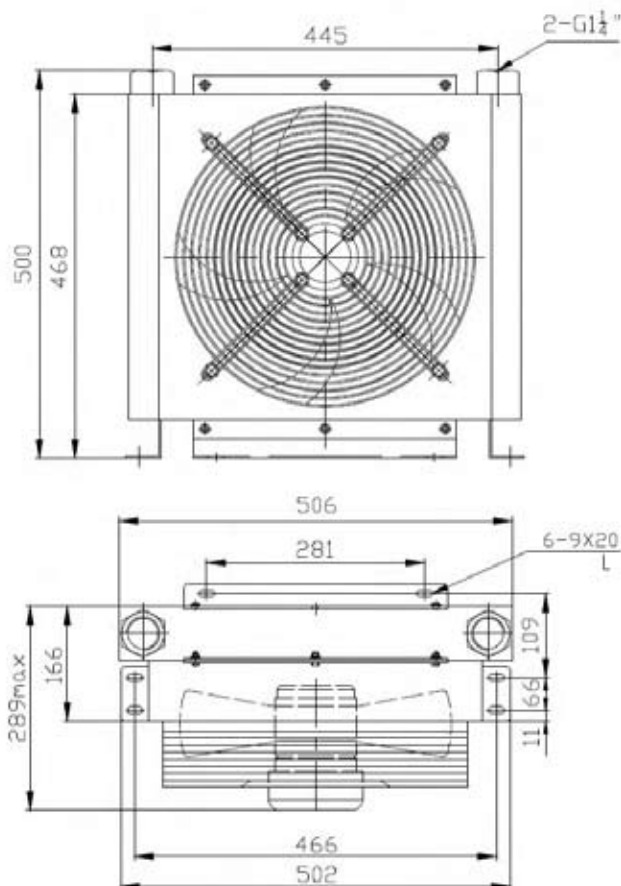
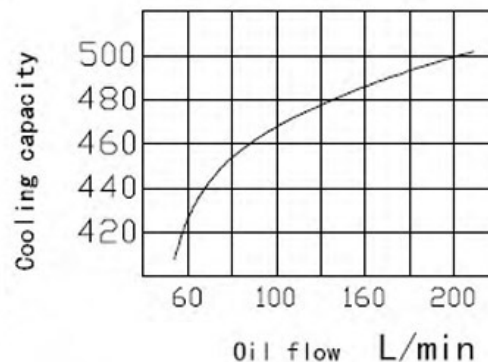
Description

Chance Hydraulics is Professional Supplier of Hydraulic oil cooler . We are specialized in manufacturing various applications as oil-air cooler(plate heat exchanger,air heat exchanger,air oil cooler) or as oil-water cooler(tube heat exchanger). Hydraulic Oil Coolers from Chance Hydraulics Co.,Ltd can be used for abroad spectrum of cooling performance and could be adapted individually to fulfil nearly customer needs.

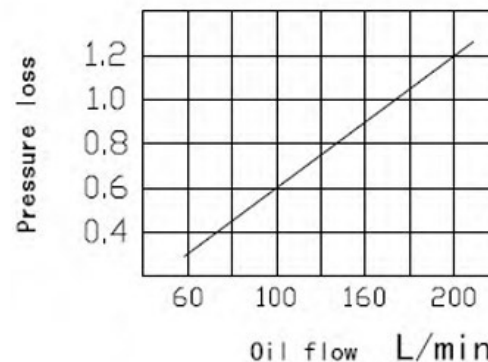
TECHNICAL DATA

Rate of flow	50-200L/min
Working pressure	≤ 2. 0Mpa
Fan power	150W (1400r/min)
Fan voltage	AC220V
Applicable moter power	11-15kw (15-20Hp)
Exterior cooling area	9. 3m ²

Characteristic curve



Pressure loss



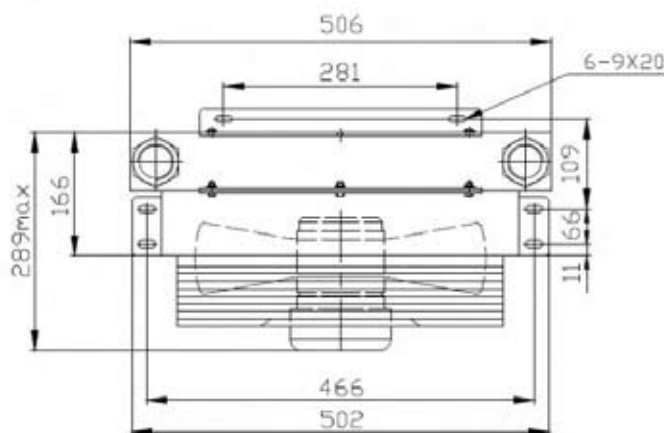
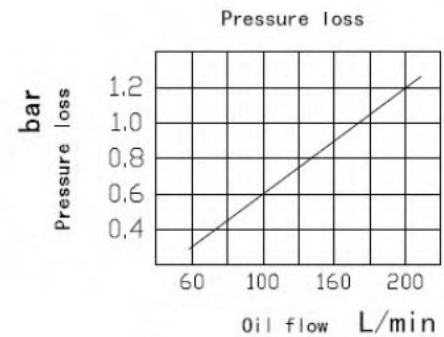
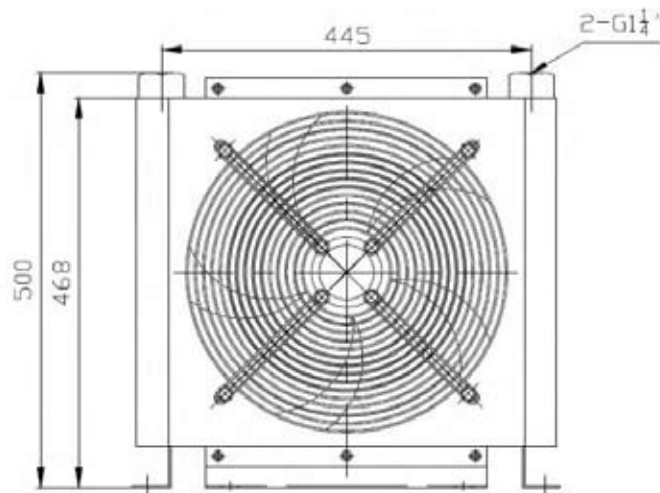
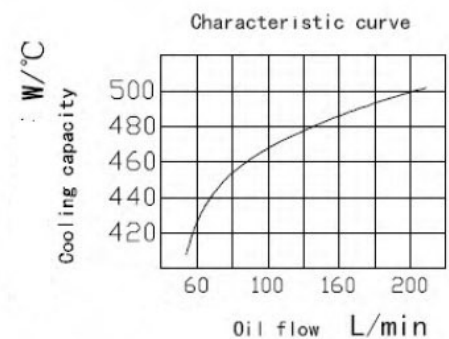


Description

Chance Hydraulics is Professional Supplier of Hydraulic oil cooler . We are specialized in manufacturing various applications as oil-air cooler(plate heat exchanger,air heat exchanger,air oil cooler) or as oil-water cooler(tube heat exchanger). Hydraulic Oil Coolers from Chance Hydraulics Co.,Ltd can be used for abroad spectrum of cooling performance and could be adapted individually to fulfil nearly customer needs.

TECHNICAL DATA

Rate of flow	50-200L/min
Working pressure	≤ 2.0Mpa
Fan power	150w (1400r/min)
Fan voltage	DC12/24V
Applicable moter power	11-15kw (15-20Hp)
Exterior cooling area	9.3m ²





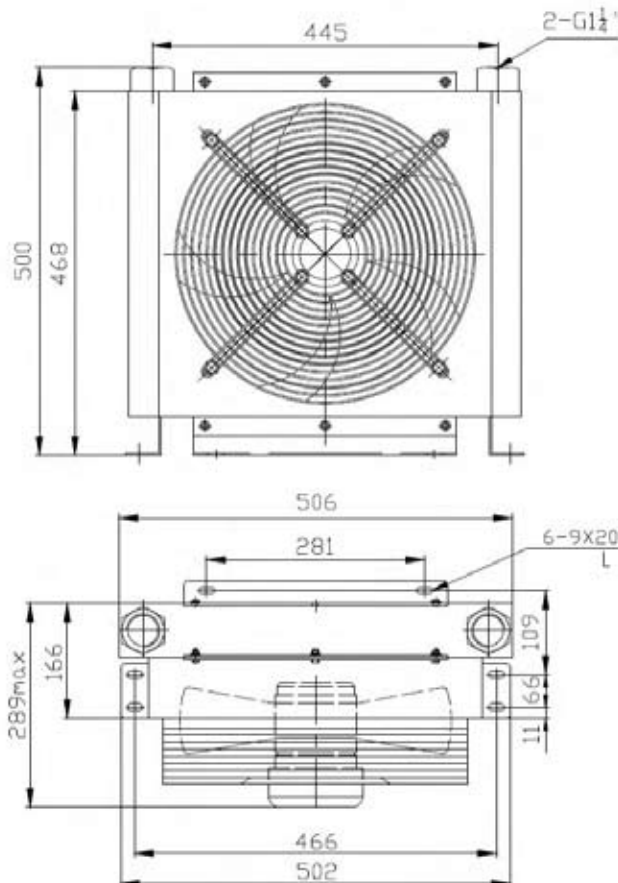
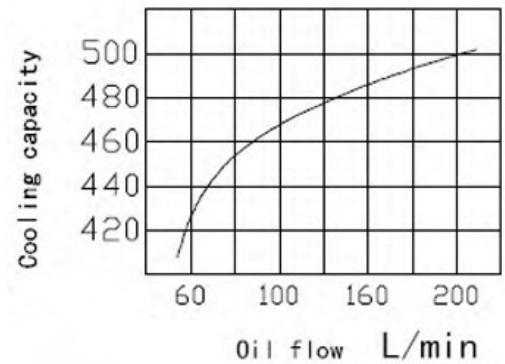
Description

Chance Hydraulics is Professional Supplier of Hydraulic oil cooler . We are specialized in manufacturing various applications as oil-air cooler(plate heat exchanger,air heat exchanger,air oil cooler) or as oil-water cooler(tube heat exchanger). Hydraulic Oil Coolers from Chance Hydraulics Co.,Ltd can be used for abroad spectrum of cooling performance and could be adapted individualy to fulfil nearly customer needs.

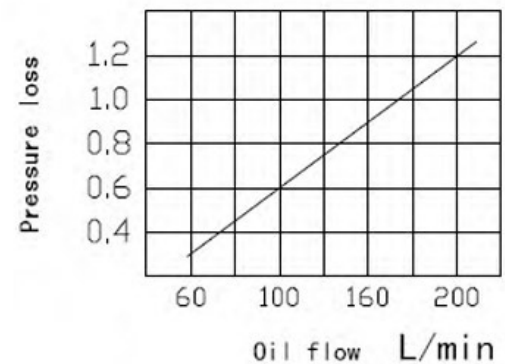
TECHNICAL DATA

Rate of flow	50-200L/min
Working pressure	≤ 2.0Mpa
Fan power	150W (1400r/min)
Fan voltage	AC220V
Applicable moter power	11-15kw (15-20Hp)
Exterior cooling area	9.3m ²

Characteristic curve



Pressure loss





Description

Chance Hydraulics is Professional Supplier of Hydraulic oil cooler . We are specialized in manufacturing various applications as oil-air cooler(plate heat exchanger,air heat exchanger,air oil cooler) or as oil-water cooler(tube heat exchanger). Hydraulic Oil Coolers from Chance Hydraulics Co.,Ltd can be used for abroad spectrum of cooling performance and could be adapted individually to fulfil nearly customer needs.

Model No	Rate of Flow	Working pressure	Fan Power	Fan Voltage	Applicable Motor Power	Exterior Cooling Area
HD2095T	400 L/Min	≤2.0Mpa	500/280W	AC220/380V	37KW(50hp)	19.0 m2

