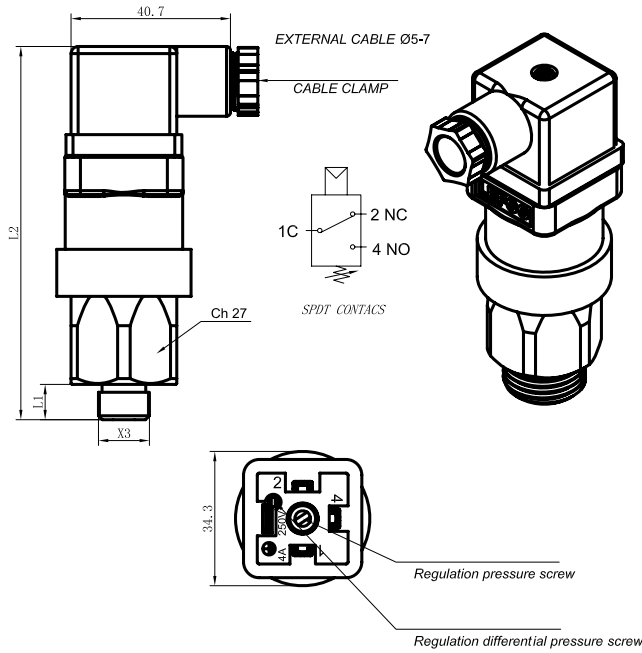


ITA703

High pressure switch



Dimension in:mm



42

ITA703 Order Ref NO

ITA703 -2 1 1 1 1 1 1 1
A B C D E F G H

Presostato tipo diafragma con conexión DIN 43650-A Hirschmann, SPDT y 300bar de presión máxima de seguridad

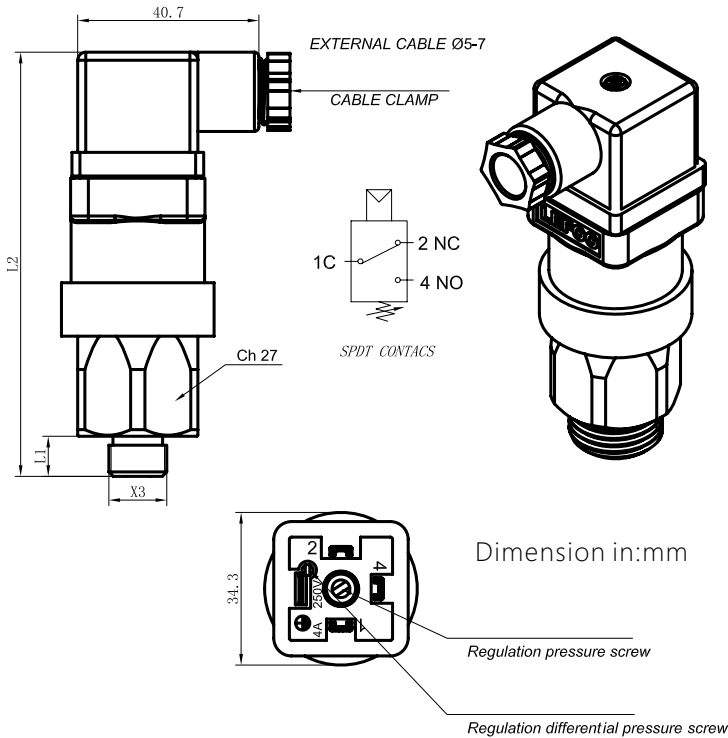
Number	Connection (X3)	L1	L2	Diaphragm	Body Material	Circuitry	Pressure Range	Tolerance
1	G1/8	B 9	C 95	DNBR	E Zinc-plated Steel	F NO	G 1-5bar	H ±0.3bar
2	A NPT1/8	9	95	FKM	Stainless Steel	NC	1-10bar	±0.5bar
3	M10×1	9	95	EPDM	/	/	10-20bar	±1bar
4	UNF7/16	9	95	HNBR	/	/	20-50bar	±2bar
5	G1/4	9	95	/	/	/	/	/
6	NPT1/4	9	95	/	/	/	/	/
7	G1/2	12	98	/	/	/	/	/

Specification

Model	ITA703
Body	Zinc-plated Steel/Stainless Steel
Contact	Silver cadmium alloy, can be gold plated
Max Voltage	42V
Max Currency	4A
Working Temperature Range	-40°C~ +100°C (baesd on different diaphragm)
Life Endurance	10 ⁶
Electrical Life Endurance	10 ⁵
Pollution Situation	Normal
IP Level	IP65
Applicable Rule	EN 60730-1
Max Working Pressure	150bar
Burst Perssure	300bar
Weight	~140gr

ITA704

High pressure switch



44

ITA704 Order Ref NO

ITA704 -2 1 1 1 1 1 1 1

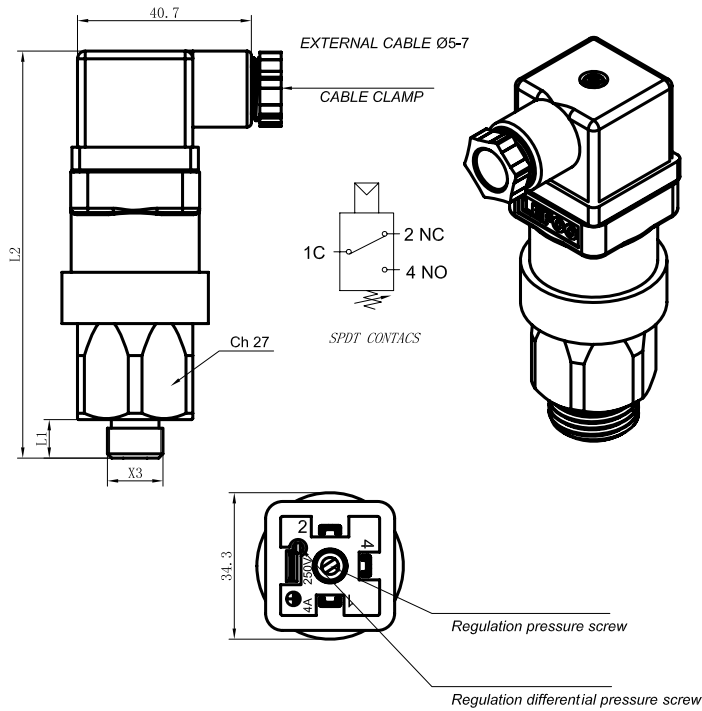
A B C D E F G H

Presostato tipo pistón con conexión DIN 43650-A Hirschmann, SPDT y 600bar de presión de seguridad máxima

Number	Connection (X3)	L1	L2	Diaphragm	Body Material	Circuitry	Pressure Range	Tolerance
1	G1/8	B 9	C 95	D NBR	E Zinc-plated Steel	F NO	G 50-150bar	H ±10bar
2	A NPT1/8	9	95	FKM	Stainless Steel	NC	100-200bar	±15bar
3	M10×1	9	95	EPDM	/	/	/	/
4	UNF7/16	9	95	HNBR	/	/	/	/
5	G1/4	9	95	/	/	/	/	/
6	NPT1/4	9	95	/	/	/	/	/
7	G1/2	12	98	/	/	/	/	/

Specification

Model	ITA704
Body	Zinc-plated Steel/Stainless Steel
Contact	Silver cadmium alloy, can be gold plated
Max Voltage	42V
Max Currency	4A
Working Temperature Range	-40°C~ +100°C (baesd on different diaphragm)
Life Endurance	10 ⁶
Electrical Life Endurance	10 ⁵
Pollution Situation	Normal
IP Level	IP65
Applicable Rule	EN 60730-1
Max Working Pressure	450bar
Burst Perssure	600bar
Weight	~140gr



Dimension in:mm

ITA706

High pressure switch



Presostato tipo diafragma con conexión DIN 43650-A Hirschmann, cuerpo de bronce y 80bar de presión máxima de seguridad

ITA706 Order Ref NO

ITA706 -2 1 1 1 1 1
A B C D E F

Number	Connection (X3)	L1	L2	Diaphragm	Pressure Range	Tolerance
1	G1/8	B 9	C 95	D NBR	E 1-5bar	F ±0.3bar
2	A NPT1/8	9	95	FKM	1-10bar	±0.5bar
3	M10×1	9	95	EPDM	10-20bar	±1bar
4	UNF7/16	9	95	HNBR	/	/
5	G1/4	9	95	/	/	/
6	NPT1/4	9	95	/	/	/
7	G1/2	12	98	/	/	/

Specification

Model	ITA706
Body	Brass
Contact	Silver cadmium alloy, can be gold plated
Max Voltage	42V
Max Currency	4A
Working Temperature Range	-40°C~ +100°C (baesd on different diaphragm)
Life Endurance	10 ⁶
Electrical Life Endurance	10 ⁵
Pollution Situation	Normal
IP Level	IP00(without cover)
Applicable Rule	EN 60730-1
Max Working Pressure	40bar
Burst Perssure	80bar
Weight	~140gr