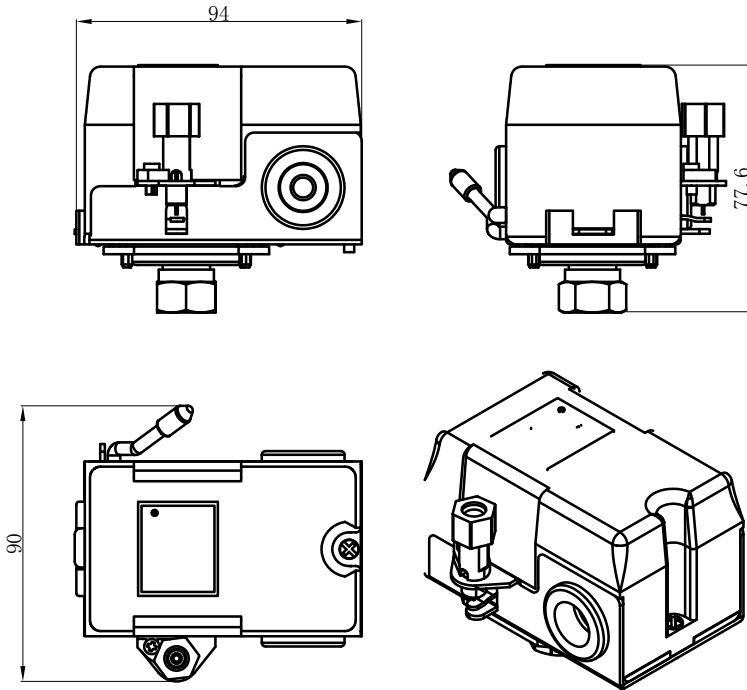




# ITA10

## Air compressor pressure switch



Dimension in:mm



The ITA10 pressure switches are used to regulate the tank pressure between two preset values on small (up to 200psi) electrically driven air compressors. They are available with an unloader valve, which prevents compressors from starting under load, and an auto-off disconnect lever for manual cut off the compressor. A four port manifold style is available which provides a means for easy mounting of valves and gauges.

### ITA10 Order Ref NO

ITA10(A) -4 H 1 1 1 2 3 -85psi-115psi

**A B C D E F** Pressure setting:Cut in 85psi Cut off 115psi

| Number | Connection Type             | Connection Size | Unloader Valve Type | Unloader Valve Connection | Handle Type             |
|--------|-----------------------------|-----------------|---------------------|---------------------------|-------------------------|
| 0      | / /                         | /               | Without             | Without                   | Without                 |
| 1      | single port <b>B</b> female | <b>C</b> 1/4NPT | <b>D</b> vertical   | Φ6.0mm                    | long and bend           |
| 2      | / male                      | 3/8NPT          | horizontal          | <b>E</b> Φ6.4mm           | long and straight       |
| 3      | / /                         | R1/4            | /                   | Φ6.5mm                    | <b>F</b> short and bend |
| 4      | <b>A</b> four ports         | R3/8            | /                   | /                         | short and straight      |
| 5      | / /                         | G1/4            | /                   | /                         | /                       |
| 6      | / /                         | G3/8            | /                   | /                         | /                       |

### Specification

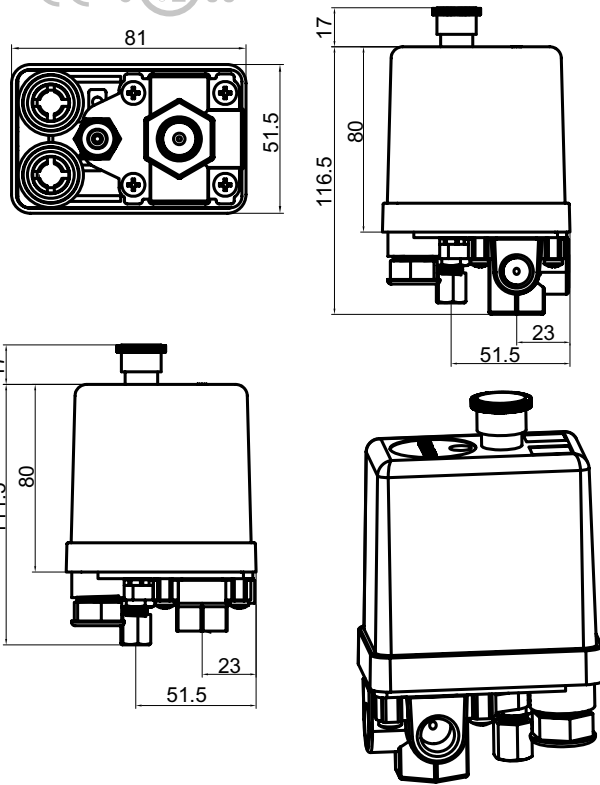
| Model  | Media | Operating Pressure Range | Factory Setting | Differential | Electrical Rating        | Contact Arrangement | Connection   |
|--------|-------|--------------------------|-----------------|--------------|--------------------------|---------------------|--|
| ITA10  | Air   | 25-100psi                | 55-80psi        | 20-35psi     | 20A/120VAC<br>12A/240VAC | NC                  | 1/4,3/8Male or Female NPT (1Port)<br>1/4 Female NPT (4Ports) |
|        | Air   | 35-150psi                | 85-115psi       | 30-40psi     |                          |                     |  |
|        | Air   | 50-175psi                | 110-150psi      | 35-55psi     |                          |                     |  |
|        | Air   | 70-190psi                | 130-175psi      | 40-55psi     |                          |                     |  |
| ITA10A | Air   | 25-100psi                | 55-80psi        | 20-35psi     | 26A/120VAC<br>26A/240VAC | NC                  | 1/4,3/8Male or Female NPT (1Port)<br>1/4 Female NPT (4Ports) |
|        | Air   | 35-150psi                | 85-115psi       | 30-40psi     |                          |                     |  |
|        | Air   | 50-175psi                | 110-150psi      | 35-55psi     |                          |                     |  |
|        | Air   | 70-190psi                | 130-175psi      | 40-55psi     |                          |                     |  |

Conversion:  $1 \text{ kgf/cm}^2 = 1.4 \text{ psi}$   $1 \text{ bar} = 1.5 \text{ psi}$  Other connections are available on request.

[www.itahydraulic.com](http://www.itahydraulic.com)

# ITA10-L

Air compressor  
pressure switch



Dimension in:mm

The ITA10-L pressure switch is a pressure-operated electric switch for use in regulating the tank pressure between two preset values on electrically driven air compressors. It is available with an unloader valve, which prevents compressors from starting under load, and an On-Off button for manual cut off the compressor. A four port manifold style is available.

## ITA10-L Order Ref NO

ITA10-L -4 H 1 1 1 2 -85psi-115psi

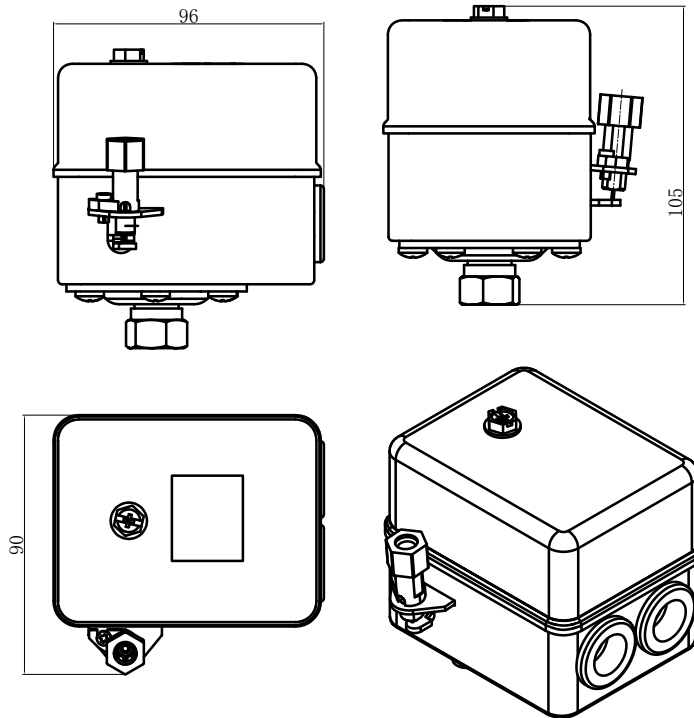
**A B C D E** Pressure setting:Cut in 85psi      Cut off 115psi

| Number | Connection Type     | Connection Size | Unloader Valve Type | Unloader Valve Connection  |
|--------|---------------------|-----------------|---------------------|----------------------------|
| 0      | /                   | /               | /                   | Without                    |
| 1      | single port         | <b>B</b> female | <b>C</b> 1/4NPT     | <b>D</b> Copper<br>Φ6.0mm  |
| 2      | /                   | /               | 3/8NPT              | Plastic<br><b>E</b> Φ6.4mm |
| 3      | /                   | /               | R1/4                | /<br>Φ6.5mm                |
| 4      | <b>A</b> four ports | /               | R3/8                | /                          |
| 5      | /                   | /               | G1/4                | /                          |
| 6      | /                   | /               | G3/8                | /                          |

## Specification

| Model     | Media | Operating Pressure Range | Factory Setting | Differential | Electrical Rating | Contact Arrangement | Connection                                  |
|-----------|-------|--------------------------|-----------------|--------------|-------------------|---------------------|---|
| ITA10-L1H | Air   | 45-175psi                | 85-115psi       | 30-45psi     | 120VAC, 20A       | NC                  | G1/4,G3/8 or 1/4,3/8NPT Female              |
| ITA10-L4H | Air   | 45-175psi                | 85-115psi       | 30-45psi     | 120VAC, 20A       | NC                  | G1/4,G3/8 or 1/4, 3/8NPTFemale (Four ports) |

Other pressure settings and differential are available on request.  
Other connections are available on request.  
Conversion:1kgf/cm<sup>2</sup>=14.2psi 1bar=14.5psi



**ITA17**  
Air compressor  
pressure switch



Dimension in:mm

The rugged ITA17 pressure switch is designed for the demanding requirements of lager, heavy duty commercial air compressors (up to 250 psi). The sturdy painted steel case and cover resists the harsh conditions encountered in industrial applications. This style is also available with an unloader valve to prevent the compressor from starting under load.

**ITA17 Order Ref NO**

ITA17(A) -1 H 1 1 1 2 -145-175psi  
**A B C D E** Pressure setting:Cut in 145psi Cut off 175psi

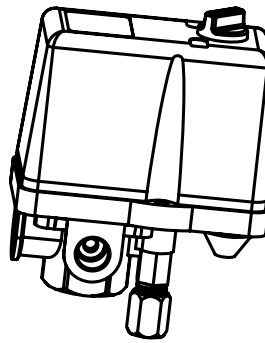
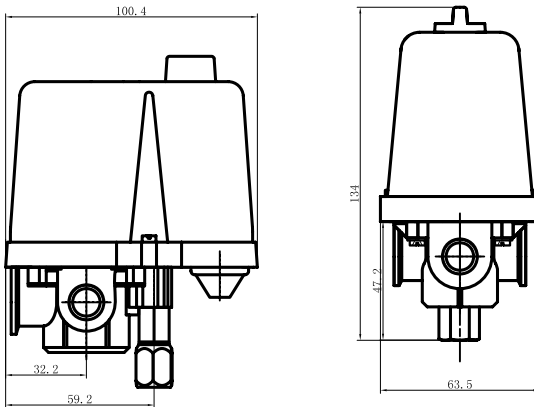
| Number | Connection Type      |                 | Connection Size | Unloader Valve Type | Unloader Valve Connection |
|--------|----------------------|-----------------|-----------------|---------------------|---------------------------|
| 1      | <b>A</b> single port | <b>B</b> female | <b>C</b> 1/4NPT | <b>D</b> vertical   | Φ6.0mm                    |
| 2      | /                    | male            | 3/8NPT          | horizontal          | <b>E</b> Φ6.4mm           |
| 3      | /                    | /               | R1/4            | /                   | Φ6.5mm                    |
| 4      | /                    | /               | R3/8            | /                   | /                         |
| 5      | /                    | /               | G1/4            | /                   | /                         |
| 6      | /                    | /               | G3/8            | /                   | /                         |

**Specification**

| Model  | Media | Operating Pressure Range | Factory Setting | Differential | Electrical Rating        | Contact Arrangement | Connection                      |
|--------|-------|--------------------------|-----------------|--------------|--------------------------|---------------------|---------------------------------|
| ITA17  | Air   | 40-250psi                | 140-175psi      | 35-60psi     | 120VAC、24A<br>240VAC、20A | NC                  | 1/4,3/8NPT<br>Male or<br>Female |
|        | Air   | 15-60psi                 | 30-45psi        | 15-20psi     |                          |                     |                                 |
| ITA17A | Air   | 420-500psi               | 325-400psi      | 55-70psi     | 120VAC、30A<br>240VAC、25A |                     |                                 |

# ITA18

Air compressor and pump pressure switch



Dimension in:mm

The ITA10-L pressure switch is a pressure-operated electric switch for use in regulating the tank pressure between two preset values on electrically driven air compressors. It is available with an unloader valve, which prevents compressors from starting under load, and an On-Off button for manual cut off the compressor. A four port manifold style is available.

## ITA10-L Order Ref NO

ITA10-L -4 H 1 1 1 2 -85psi-115psi

**A B C D E F** Pressure setting:Cut in 8bar Cut off 115psi

| Number | Connection Type     | Connection Size | Unloader Valve Type | Unloader Valve Connection | Handle Type     |
|--------|---------------------|-----------------|---------------------|---------------------------|-----------------|
| 0      | /                   | /               | without             | without                   | without         |
| 1      | single port         | <b>B</b> female | <b>C</b> G1/4       | <b>D</b> vertical         | <b>E</b> Φ6.0mm |
| 2      | /                   | G1/2            | /                   | <b>F</b> Φ6.4mm           | /               |
| 3      | three ports         | 1/4NPT          | /                   | Φ6.5mm                    | /               |
| 4      | <b>A</b> four ports | 1/2NPT          | /                   | /                         | /               |
| 5      | /                   | R1/4            | /                   | /                         | /               |
| 6      | /                   | R1/2            | /                   | /                         | /               |

## Specification

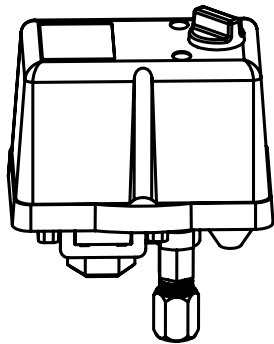
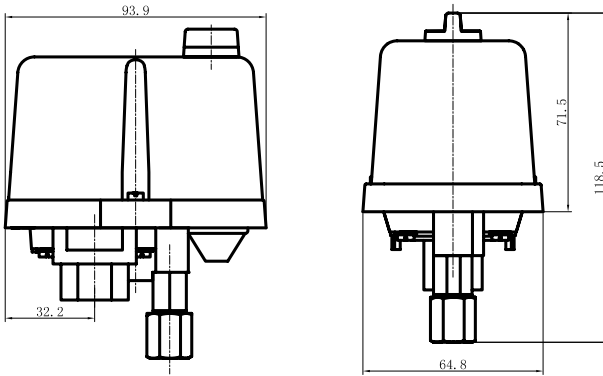
| Model | Media | Operating Pressure Range | Factory Setting | Differential | Electrical Rating   | Contact Arrangement | Connection                              |
|-------|-------|--------------------------|-----------------|--------------|---------------------|---------------------|---|
| ITA18 | Air   | 1.0-5.0bar               | 2.0-4.0bar      | 1.0-3.0bar   | 400VAC-3<br>16A/25A | NC                  | 1/4 or 1/2NPT,<br>G1/4 or 1/2<br>Female |
|       |       | 2.0-8.0bar               | 3.8-5.0bar      | 1.0-3.0bar   |                     |                     |   |
|       |       | 3.0-11.0bar              | 5.6-7.0bar      | 1.4-4.0bar   |                     |                     |   |
|       |       | 4.0-16.0bar              | 8.0-10.0bar     | 1.8-4.5bar   |                     |                     |   |

Conversion:1kgf/cm<sup>2</sup>=14.2psi 1bar=14.5psi Other connections are available on request.

www.itahydraulic.com

# ITA19

Air compressor and pump pressure switch



Dimension in:mm



## ITA19 Order Ref NO

ITA19 -4 1 1 1 2 1 -7.5-10.5bar

**A B C D E F**

Pressure setting:Cut in 7.5bar

Cut off 10.5bar

ITA19 pressure switches provide time tested, reliable control for automatic water systems. The switch is universally acceptable for use as original equipment on water well pumps or pumping systems. It is available with an On-Off knob for manual cut off the pump.

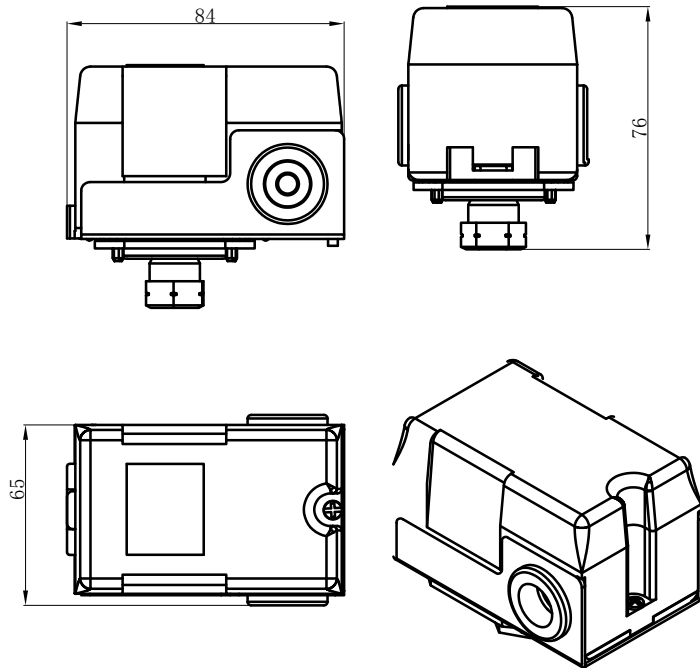
| Number | Connection Type     |                 | Connection Size | Unloader Valve Type | Unloader Valve Connection | Handle Type          |
|--------|---------------------|-----------------|-----------------|---------------------|---------------------------|----------------------|
| 0      | /                   | /               | /               | without             | without                   | without              |
| 1      | single port         | <b>B</b> female | <b>C</b> G1/4   | <b>D</b> vertical   | Φ6.0mm                    | <b>F</b> ON/OFF Knob |
| 2      | /                   | /               | G1/2            | /                   | <b>E</b> Φ6.4mm           | /                    |
| 3      | three ports         | /               | 1/4NPT          | /                   | Φ6.5mm                    | /                    |
| 4      | <b>A</b> four ports | /               | 1/2NPT          | /                   | /                         | /                    |
| 5      | /                   | /               | R1/4            | /                   | /                         | /                    |
| 6      | /                   | /               | R1/2            | /                   | /                         | /                    |

## Specification

| Model | Media | Unloader Valve | Operating Pressure Range | Factory Setting | Differential | Electrical Rating | Contact Arrangement |
|-------|-------|----------------|--------------------------|-----------------|--------------|-------------------|---------------------|
| ITA19 | Air   | With           | 1-6bar                   | 1-3bar          | 2-4bar       | 250VAC<br>16A/25A | NC                  |
|       |       |                | 2-11bar                  | 1.4-3.5bar      | 6-8bar       |                   |                     |
|       |       |                | 5-14bar                  | 1.8-4.0bar      | 8-10bar      |                   |                     |

# ITA10-W

Pump pressure switch



Dimension in:mm



## ITA10-WS and ITA10-WR Order Ref NO

ITA10-W series pressure switches provide time tested, reliable control for automatic water systems. The switch is universally acceptable for use as original equipment on water well pumps or pumping systems.

ITA10(A)-W(S or R)-1 1 1 -30-50psi

Contact Type: NC NO **A B C** Pressure setting: Cut in 35psi Cut off 50psi

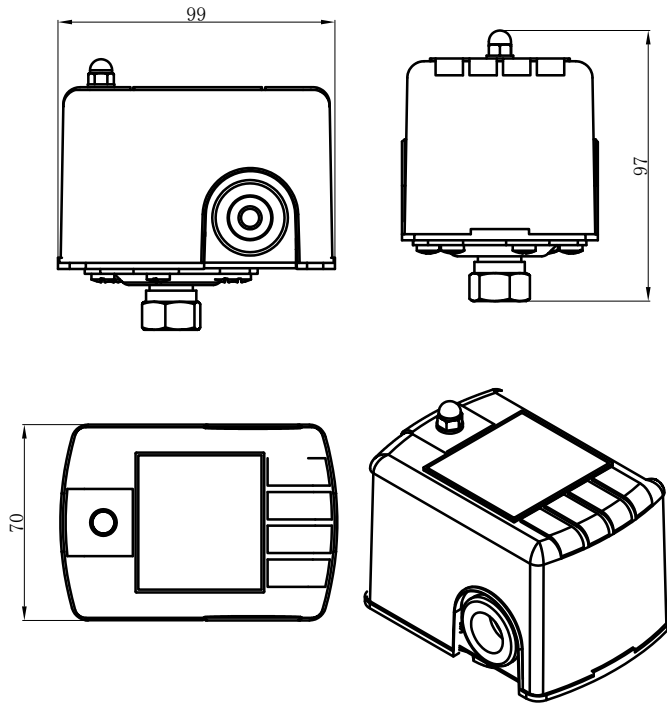
| Number | Connection Type      |                 | Connection Size     |
|--------|----------------------|-----------------|---------------------|
| 1      | <b>A</b> single port | <b>B</b> female | <b>C</b> 1/4NPT     |
| 2      | /                    | male            | 3/8NPT              |
| 3      | /                    | /               | R1/4                |
| 4      | /                    | /               | R3/8                |
| 5      | /                    | /               | G1/4                |
| 6      | /                    | /               | G3/8                |
| 7      | /                    | /               | NPT1/4 Long Male    |
| 8      | /                    | /               | G1/4 Bolt Connectin |

### Specification

| Model                   | Media | Operating Pressure Range | Factory Setting | Differential | Electrical Rating  | Contact Arrangement | Connection                  |
|-------------------------|-------|--------------------------|-----------------|--------------|--|---------------------|-----------------------------|
| ITA10-WS<br>(ITA10A-WS) | Water | 15-82psi                 | 20-35psi        | 15-30psi     | 120VAC, 20A<br>(120VAC, 26A)<br>240VAC, 12A<br>(240VAC, 26A) | NC                  | 1/4NPT<br>Male or<br>Female |
|                         | Water | 30-100psi                | 30-50psi        | 20-35psi     |  |                     |                             |
|                         | Water | 35-150psi                | 85-115psi       | 30-40psi     |  |                     |                             |
| ITA10-WR<br>(ITA10A-WR) | Water | 80-15psi                 | 50-30psi        | 17-30psi     | 240VAC, 20A<br>(120VAC, 26A)<br>240VAC, 12A<br>(240VAC, 26A) | NO                  | 1/4NPT<br>Male or<br>Female |
|                         | Water | 100-30psi                | 100-75psi       | 25-30psi     |  |                     |                             |
|                         | Water | 150-35psi                | 125-95psi       | 30-45psi     |  |                     |                             |

Conversion: 1kgf/cm<sup>2</sup>=14.2psi 1bar=14.5psi Other connections are available on request.

www.itahydraulic.com



Dimension in:mm



**ITA16**  
Pump pressure switch



ITA16 pressure switches provide time tested, reliable control for automatic water systems. The switch is universally acceptable for use as original equipment on water well pumps or pumping systems.

**ITA16 Order Ref NO**

ITA16(-1) -1 1 1 -30-50psi

**A B C** Pressure setting:Cut in 30psi      Cut off 50psi

| Number | Connection Type      |                 | Connection Size |
|--------|----------------------|-----------------|-----------------|
| 1      | <b>A</b> single port | <b>B</b> female | <b>C</b> 1/4NPT |
| 2      | /                    | male            | 3/8NPT          |
| 3      | /                    | /               | R1/4            |
| 4      | /                    | /               | R3/8            |
| 5      | /                    | /               | G1/4            |
| 6      | /                    | /               | G3/8            |

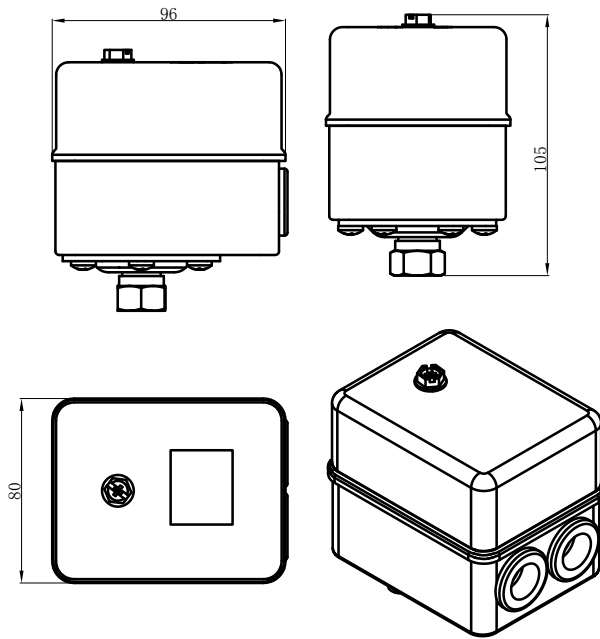
**Specification**

| Model   | Min On (Cut-In) psi | Min Off (Cut-Out) psi | Differential psi | Factory Setting psi | Electrical Rating |               |               | Contact Arrangement | Connection             |
|---------|---------------------|-----------------------|------------------|---------------------|-------------------|---------------|---------------|---------------------|------------------------|
|         |                     |                       |                  |                     | 1Phase 120VAC     | 3Phase 240VAC | 3Phase 240VAC |                     |                        |
| ITA16   | 20                  | 80                    | 15-30            | 20-40               | 2HP               | 3HP           | 5HP           | NC                  | 1/4 Male or Female NPT |
|         |                     |                       | 15-30            | 30-50               |                   |               |               |                     |                        |
|         |                     |                       | 15-35            | 40-60               |                   |               |               |                     |                        |
| ITA16-1 | 20                  | 80                    | 20-35            | 70-100              | 1.5HP             | 2HP           | 3HP           |                     |                        |
|         |                     |                       | 15-30            | 30-50               |                   |               |               |                     |                        |
|         |                     |                       | 15-35            | 40-60               | 2HP               | 3HP           | 5HP           |                     |                        |
|         |                     |                       | 20-35            | 70-100              |                   |               |               |                     |                        |



# ITA17-W

Pump pressure switch



Dimension in:mm



The rugged ITA17 pressure switch is designed for the demanding requirements of lager, heavy duty commercial water pump system.

## ITA17-W Order Ref NO

ITA17-W -1 1 1 -80-100psi

**A B C** Pressure setting:Cut in 80psi      Cut off 100psi

| Number | Connection Type      |                 | Connection Size |
|--------|----------------------|-----------------|-----------------|
| 1      | <b>A</b> single port | <b>B</b> female | <b>C</b> 1/4NPT |
| 2      | /                    | male            | 3/8NPT          |
| 3      | /                    | /               | R1/4            |
| 4      | /                    | /               | R3/8            |
| 5      | /                    | /               | G1/4            |
| 6      | /                    | /               | G3/8            |

## Specification

| Model    | Media | Operating Pressure Range | Factory Setting | Differential | Electrical Rating          | Contact Arrangement | Connection                         |
|----------|-------|--------------------------|-----------------|--------------|----------------------------|---------------------|------------------------------------|
| ITA17-W  | Water | 40-250psi                | 80-100psi       | 20-60psi     | 120VAC, 24A<br>240VAC, 20A | NC                  | G,NPT1/4,<br>3/8 Male<br>or Female |
|          | Water | 14-100psi                | 40-70psi        | 14-50psi     |                            |                     |                                    |
| ITA17-W5 | Water | 15-60psi                 | 30-45psi        | 7-20psi      |                            |                     |                                    |

Conversion:1kgf/cm<sup>2</sup>=14.2psi 1bar=14.5psi